

Service Manual

ORDER NO.
RRV1603

CD CDV LD PLAYER

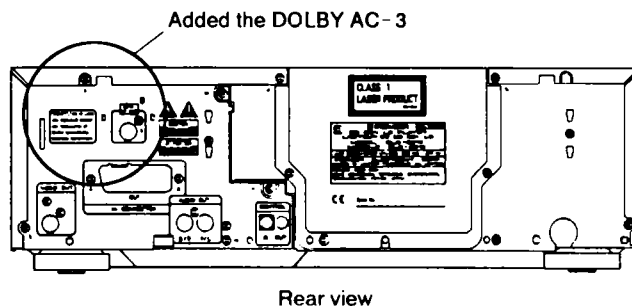
CLD-D515

- Refer to the service manual RRV1356 for CLD-D515.

THIS MANUAL IS APPLICABLE TO THE FOLLOWING MODEL(S) AND TYPE(S).

Type	Model	Power Requirement	Remarks
	CLD-D515		
WEZ1	○	AC220-240V	
WBW1	○	AC220-240V	
WPW1	○	AC220-240V	

- This product (WEZ1, WBW1 and WPW1 types) is the addition model which is added to the DOLBY AC-3 function with the current model (WEZ, WBW and WPW types).



1. CONTRAST OF MISCELLANEOUS PARTS

NOTES:

- Parts marked by "NSP" are generally unavailable because they are not in our Master Spare Parts List.
- The Δ mark found on some component parts indicates the importance of the safety factor of the part. Therefore, when replacing, be sure to use parts of identical designation.
- Parts marked by "⊙" are not always kept in stock. Their delivery time may be longer than usual or they may be unavailable.
- When ordering resistors, first convert resistance values into code form as shown in the following examples.
 - Ex.1 When there are 2 effective digits(any digit apart from 0), such as 560 ohm and 47k ohm(tolerance is shown by J=5%, and K=10%).
 - 560 Ω \rightarrow 56 \times 10¹ \rightarrow 561..... RD1/4PU $\boxed{5}\boxed{6}\boxed{1}J$
 - 47k Ω \rightarrow 47 \times 10³ \rightarrow 473..... RD1/4PU $\boxed{4}\boxed{7}\boxed{3}J$
 - 0.5 Ω \rightarrow 0R5 RN2H $\boxed{0}\boxed{R}\boxed{5}K$
 - 1 Ω \rightarrow 1R0 RSIP $\boxed{1}\boxed{R}\boxed{0}K$
 - Ex.2 When there are 3 effective digits(such as in high precision metal film resistors).
 - 5.62k Ω \rightarrow 562 \times 10¹ \rightarrow 5621 RN1/4PC $\boxed{5}\boxed{6}\boxed{2}\boxed{1}F$

● **FOR CLD- D515/WEZ1**

WEZ1 and WEZ types have the same construction except for the following :

Mark	Symbol & Description	Part No.		Remarks
		WEZ type	WEZ1 type	
NSP	MOTHER ASSY	VWS1197 *	VWS1268	No. 1 No. 2
	AC3B ASSY	Not used	VWV1499	
NSP	Flexible Cable (7P)	Not used	VDA1468	
	Rear Panel L	VNA1575	VNA1779	
	Front Panel	VNK3193	VNK3829	
	Rear Cover	VNK3272	VNK3828	
	Instruction Sheet (AC3)	Not used	VRL1002	
	Front Panel Assy - S	VXX2293	VXX2450	

Note : The number in the remarks column correspond to the numbers on the exploded diagram. Refer to "EXPLODED VIEW".
 Note * : The design of MOTHER ASSY for CLD- D515/WEZ is changed from VWS1197 to VWS1268.

● **FOR CLD- D515/WBW1**

WBW1 and WBW types have the same construction except for the following :

Mark	Symbol & Description	Part No.		Remarks
		WBW type	WBW1 type	
NSP	MOTHER ASSY	VWS1197 *	VWS1268	No. 1 No. 2
	AC3B ASSY	Not used	VWV1499	
NSP	Flexible Cable (7P)	Not used	VDA1468	
	Rear Panel L	VNA1575	VNA1779	
	Front Panel	VNK3193	VNK3829	
	Rear Cover	VNK3272	VNK3828	
	Instruction Sheet (AC3)	Not used	VRL1002	
	Front Panel Assy - S	VXX2293	VXX2450	

Note : The number in the remarks column correspond to the numbers on the exploded diagram. Refer to "EXPLODED VIEW".
 Note * : The design of MOTHER ASSY for CLD- D515/WBW is changed from VWS1197 to VWS1268.

● FOR CLD- D515/WPW1

WPW1 and WPW types have the same construction except for the following :

Mark	Symbol & Description	Part No.		Remarks
		WPW type	WPW1 type	
NSP	MOTHER ASSY	VWS1197 *	VWS1268	No. 1 No. 2
	AC3B ASSY	Not used	VWV1499	
	Flexible Cable (7P)	Not used	VDA1468	
	Rear Panel L	VNA1575	VNA1779	
NSP	Front Panel	VNK3193	VNK3829	
	Rear Cover	VNK3272	VNK3828	
	Instruction Sheet (AC3)	Not used	VRL1002	
	Front Panel Assy - S	VXX2384	VXX2449	

Note : The number in the remarks column correspond to the numbers on the exploded diagram. Refer to "EXPLODED VIEW".

Note * : The design of MOTHER ASSY for CLD- D515/WPW is changed from VWS1197 to VWS1268.

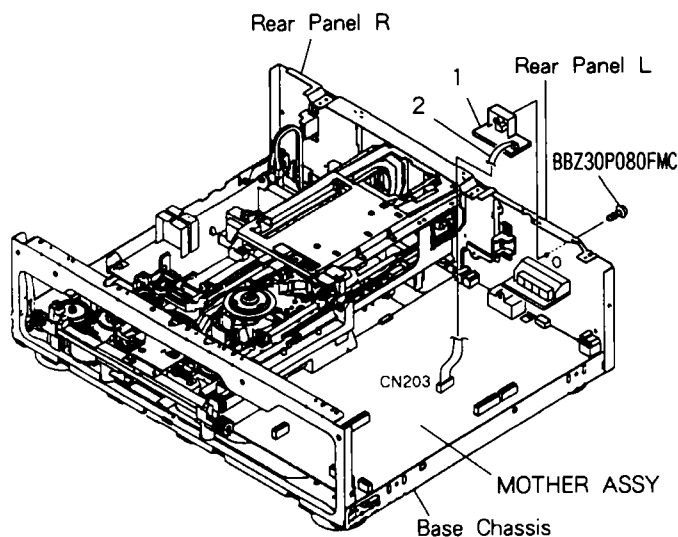
MOTHER ASSY

VWS1268 and VWS1197 have the same construction except for the following :

Mark	Symbol & Description	Part No.		Remarks
		VWS1197	VWS1268	
	CN203 7P FFC Connector	Not used	52045-0745	*
	R194	Not used	RS1/10S000J	
	IC400	PAC005B	LA7133	
	IC801	PAC002A	LA9425	
	IC901	PAC003A	LA9420M	
	R220,R222	DCN1001	RFA1/6PU4R7J	

Note * : Although those parts are different in part number, they are interchangeable each other because of the same specifications.

■ EXPLODED VIEW



■ PCB PARTS LIST

Mark No.	Description	Part No.
	AC3B ASSY (VWV1499)	
	SEMICONDUCTORS	
	Q301, Q302	2SC1740S
	Q303	DTA124ES
	CAPACITORS	
	C301-C303	CKPUYF223Z25
	RESISTORS	
	All Resistors	RD1/4PU□□□J
	OTHERS	
	CN301 7P FFC CONNECTOR	52045-0745
	JA17 1P PIN JACK	VKB1077
	PIN JACK HOLDER	VNE2043

2. SCHEMATIC AND PCB DIAGRAMS

NOTE FOR SCHEMATIC DIAGRAMS

1. When ordering service parts, be sure to refer to "PARTS LIST of EXPLODED VIEWS" or "PCB PARTS LIST". (Type 4A)

2. Since these are basic circuits, some parts of them or the values of some components may be changed for improvement.

3. RESISTORS:

Unit: k Ω , M Ω , or Ω unless otherwise noted.
 Rated power: 1/4W, 1/6W, 1/8W, 1/10W unless otherwise noted.
 Tolerance: (F): $\pm 1\%$, (G): $\pm 2\%$, (K): $\pm 10\%$, (M): $\pm 20\%$ or $\pm 5\%$ unless otherwise noted.

4. CAPACITORS:

Unit: pF or μF unless otherwise noted.
 Ratings: capacitor (μF) / voltage (V) unless otherwise noted.
 Rated voltage: 50V except for electrolytic capacitors.

5. COILS:

Unit: mH or μH unless otherwise noted.

6. VOLTAGE AND CURRENT:

\square or $\leftarrow V$:
 DC voltage (V) in PLAY mode unless otherwise noted.
 $\leftarrow mA$ or $\leftarrow mA$:
 DC current in PLAY mode unless otherwise noted.
 Value in () is DC current in STOP mode.

7. OTHERS:

- ⊙ or ⊙ : Adjusting point.
- ⊙ : Measurement point.
- The Δ mark found on some component parts indicates the importance of the safety factor of the parts. Therefore, when replacing, be sure to use parts of identical designation.

8. SCH - \square ON THE SCHEMATIC DIAGRAM:

- SCH- \square indicates the drawing number of the schematic diagram. (SCH stands for schematic diagram.)

9. SWITCHES (Underline indicates switch position):

LMSB ASSY

S101 : SW1
 S102 : SW2
 S103 : SW3

PKSB ASSY

S104 : OUTER SW
 S105 : INNER SW

TNSB ASSY

S111 : TURN

BISB ASSY

S112 : B INSIDE

KEYB ASSY

S201 : DISC SIDE A
 S202 : DISC SIDE B
 S203 : CD OPEN/CLOSE (\blacktriangle)
 S204 : LD OPEN/CLOSE (\blacktriangle)
 S205 : STOP (\blacksquare)
 S206 : SHARPNESS
 S207 : REV (\blacktriangleleft / \blacktriangleright)
 S208 : FWD (\blacktriangleright / \blacktriangleleft)
 S209 : PLAY (\blacktriangleright)
 S210 : PAUSE (\parallel)
 S211 : MENU

FLKY ASSY

S101 : POWER STANDBY/ON
 S102 : FILM MODE
 S101 : DISPLAY OFF

NOTE FOR PCB DIAGRAMS:

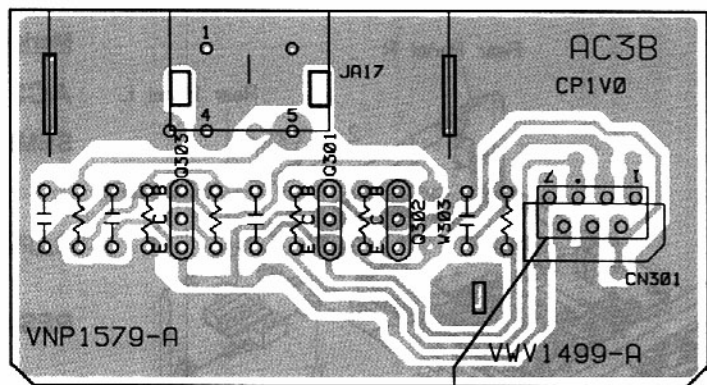
- Part numbers in PCB diagrams match those in the schematic diagrams.
- A comparison between the main parts of PCB and schematic diagrams is shown below.

Symbol in PCB Diagrams	Symbol in Schematic Diagrams	Part Name
		Transistor
		Transistor with resistor
		Field effect transistor
		Resistor array
		3-terminal regulator

● PCB DIAGRAM OF AC3B ASSY

AC3B ASSY

PCB-1F



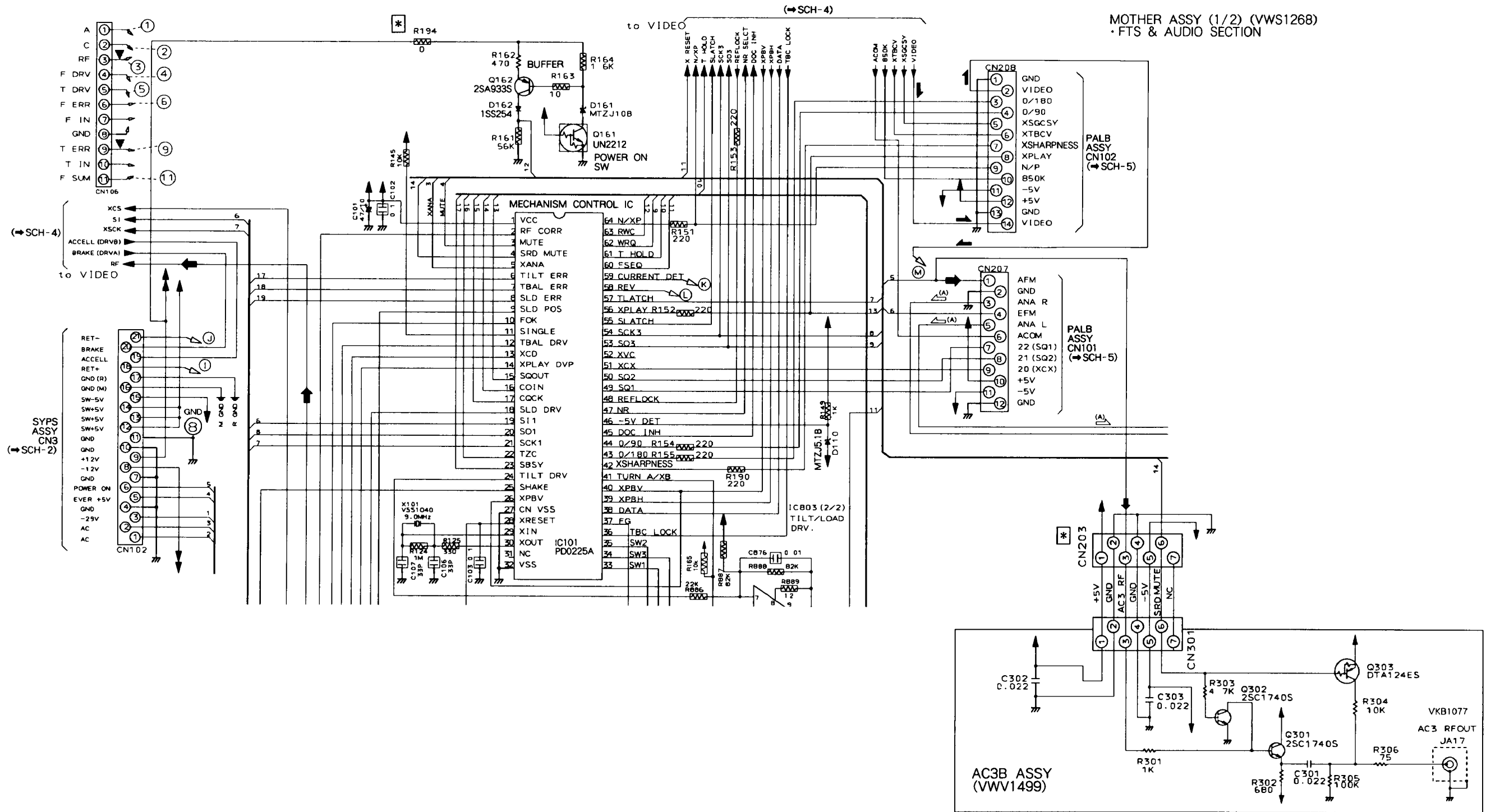
MOTHER ASSY
 CN203

- This diagram is viewed from the mounted parts side.
- The parts mounted on this PCB include all necessary parts for several destinations. For further information for respective destinations, be sure to check with the schematic diagram.

2.1 MOTHER ASSY(1/2 : FTS & AUDIO SECTION) AND AC3B ASSY

Note : Parts marked * are added to VWS1197.

SCH-1F



SCH-1F MOTHER ASSY (1/2), AC3B ASSY

MOTHER ASSY (1/2), AC3B ASSY **SCH-1F**

